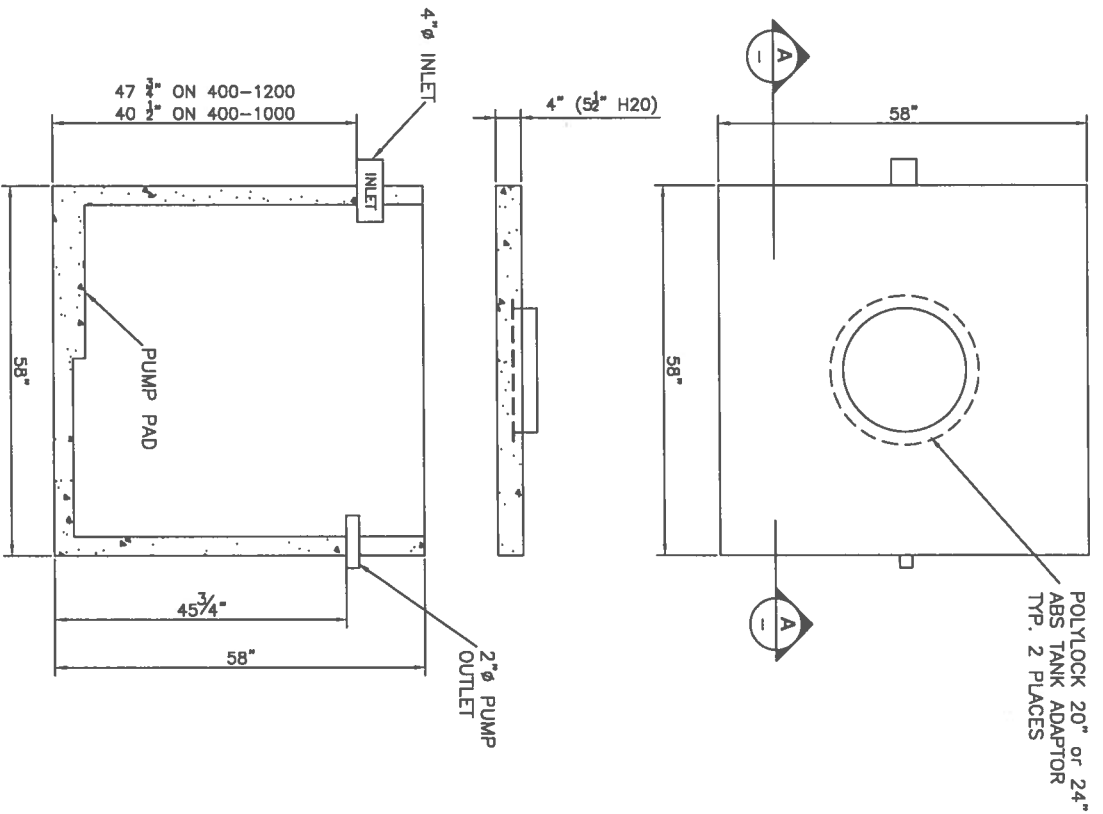


# 4000 IMP GAL PUMP TANK



- DETAILS:
1. CONCRETE 30MPa @ 28 DAYS
  2. 4 x 4 x 10/10 WELDED WIRE MESH IN BOTTOM & SIDES
  3. 10M REBAR MAT IN COVER
  4. CONCRETE CONTAINS PROPEX FIBERMESH 150 MULTIFILAMENT FIBRES
  5. MAXIMUM BURIAL DEPTH - 6 FEET
  6. 20" PLASTIC POLYLOK RISER IN SEPTIC TANKS/ 24" PLASTIC POLYLOK RISER IN PUMP CHAMBERS
  7. LID SEALED TO TANK WITH 3/4" CONSEAL CS-101 GASKET
  8. H2O TRAFFIC RATED TANKS ARE AVAILABLE, CONTACT YOUR NANAIMO PRECAST LIMITED REP. FOR MORE DETAILS

TOTAL TANK VOLUME - 417 Imp GdI  
(CALCULATED TO OUTLET INVERT)  
TANK WEIGHT - 4,257 lbs  
LID WEIGHT - 1,235 lbs

SECTION A  
NTS

TANK IS DESIGNED TO BE FULLY BACKFILLED PRIOR TO ANY FILLING OR USE  
NANAIMO PRECAST ACCEPTS NO RESPONSIBILITY FOR SITE CONDITIONS  
OR FOR OVERALL SYSTEM DESIGN, A R.O.W.P. SHOULD BE RETAINED

**NANAIMO**  
PRECAST LTD

1841 TRANS CANADA HIGHWAY  
NANAIMO B.C.  
PH 250-501-6115 FAX 250-501-6114  
www.nanaimoprecast.ca

4000 IMPERIAL GALLON (1818 LITER)  
PUMP TANK

DATE: JANUARY 5, 2017

DRAWN BY: S TAYLOR

TANK MODEL: 400-3P