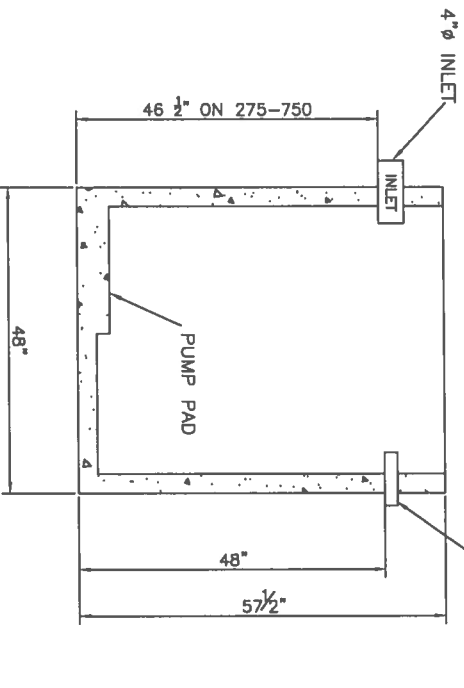
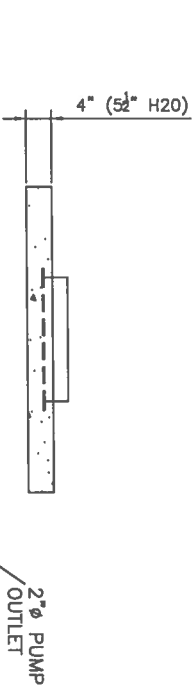
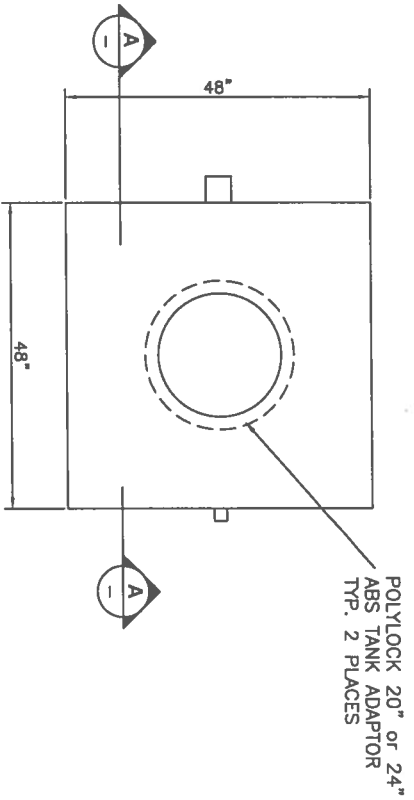


275 IMP GAL PUMP TANK



- DETAILS:
1. CONCRETE 30MPa @ 28 DAYS
 2. 4 x 4 x 10/10 WELDED WIRE MESH IN BOTTOM & SIDES
 3. 10M REBAR MAT IN COVER
 4. CONCRETE CONTAINS PROPEX FIBERMESH 150 MULTIFILAMENT FIBRES
 5. MAXIMUM BURIAL DEPTH - 6 FEET
 6. 20" PLASTIC POLYLOK RISER IN SEPTIC TANKS/ 24" PLASTIC POLYLOK RISER IN PUMP CHAMBERS
 7. LID SEALED TO TANK WITH 3/4" CONSEAL CS-101 GASKET
 8. H2O TRAFFIC RATED TANKS ARE AVAILABLE, CONTACT YOUR NANAIMO PRECAST LIMITED REP. FOR MORE DETAILS

TOTAL TANK VOLUME - 286 ImpGal
(CALCULATED TO OUTLET INVERT)
TANK WEIGHT - 3,334 lbs
LID WEIGHT - 846 lbs

TANK IS DESIGNED TO BE FULLY BACKFILLED PRIOR TO ANY FILLING OR USE
NANAIMO PRECAST ACCEPTS NO RESPONSIBILITY FOR SITE CONDITIONS
OR FOR OVERALL SYSTEM DESIGN, A R.O.W.P. SHOULD BE RETAINED

NANAIMO PRECAST LTD
1941 TRANS CANADA HIGHWAY
NANAIMO B.C.
PH 250-581-6115 FAX 250-581-6114
www.nanaimoprecast.ca

275 IMPERIAL GALLON (1250 LITER)
PUMP TANK

DATE: JANUARY 5, 2017 DRAWN BY: S. TAYLOR TANK MODEL: 275-3P