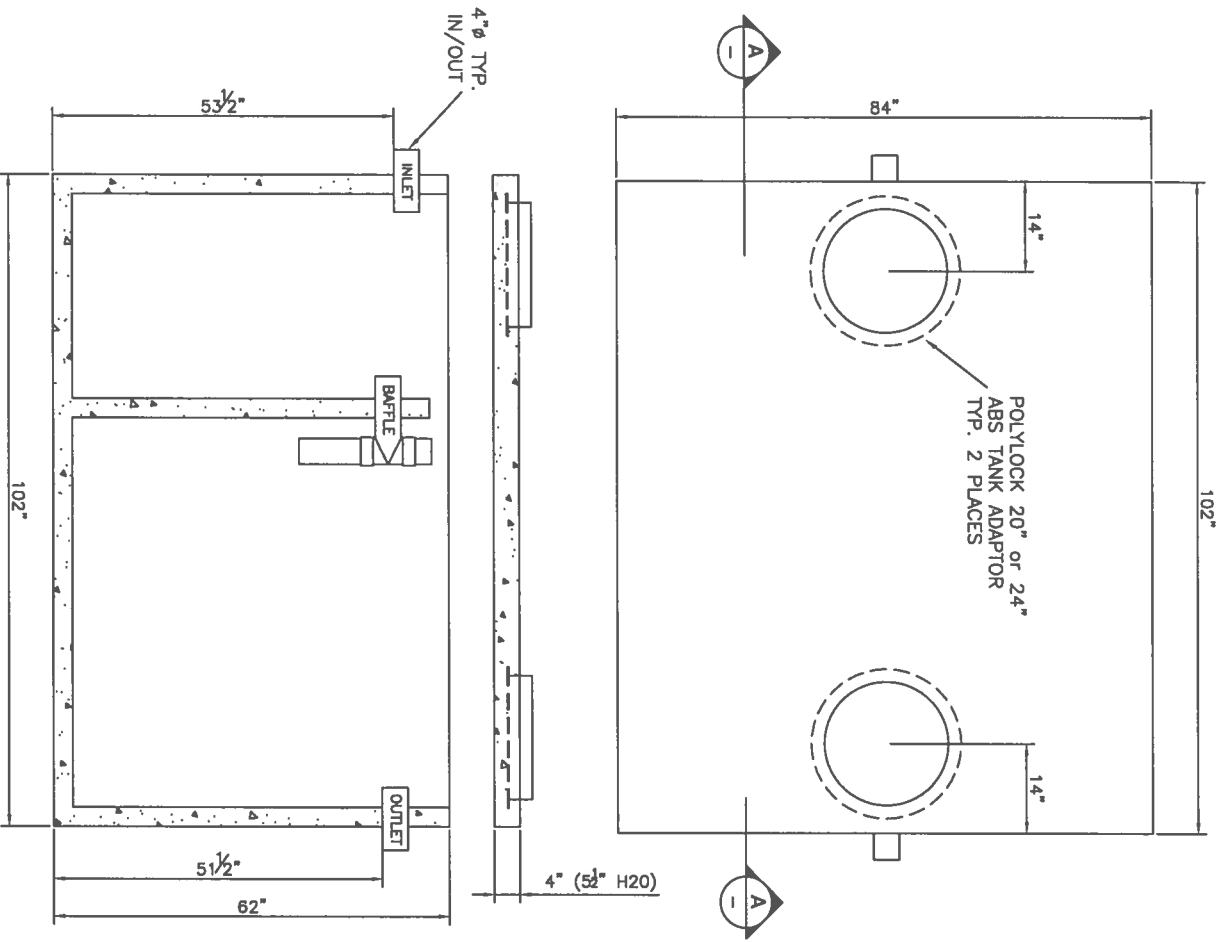


15000 IMP GAL SEPTIC TANK



SECTION A
NTS

TANK IS DESIGNED TO BE FULLY BACKFILLED PRIOR TO ANY FILLING OR USE
 NANAIMO PRECAST ACCEPTS NO RESPONSIBILITY FOR SITE CONDITIONS
 OR FOR OVERALL SYSTEM DESIGN, A R.O.W.P. SHOULD BE RETAINED

DETAILS:

1. CONCRETE 30MPa @ 28 DAYS
2. 4 x 4 x 10/10 WELDED WIRE MESH IN BOTTOM & SIDES
3. 10M REBAR MAT IN COVER
4. CONCRETE CONTAINS PROPEX FIBERMESH 150 MULTIFILAMENT FIBRES
5. MAXIMUM BURIAL DEPTH - 6 FEET
6. 20" PLASTIC POLYLOK RISER IN SEPTIC TANKS/ 24" PLASTIC POLYLOK RISER IN PUMP CHAMBERS
7. LID SEALED TO TANK WITH ¾" CONSEAL CS-101 GASKET
8. H2O TRAFFIC RATED TANKS ARE AVAILABLE, CONTACT YOUR NANAIMO PRECAST LIMITED REP. FOR MORE DETAILS

TOTAL TANK VOLUME - 1501 ImpGal
 (CALCULATED TO OUTLET INVERT)
 TANK WEIGHT - 13,340 lbs
 LID WEIGHT - 3,145 lbs



1941 TRANS CANADA HIGHWAY
 NANAIMO B.C.
 PH 250-591-6115 FAX 250-591-6114
 www.nanaimoprecast.ca

15000 IMPERIAL GALLON (6,819 LITER)
 SEPTIC TANK

DATE: JANUARY 5, 2017

DRAWN BY: S TAYLOR

TANK MODEL: 1500-1