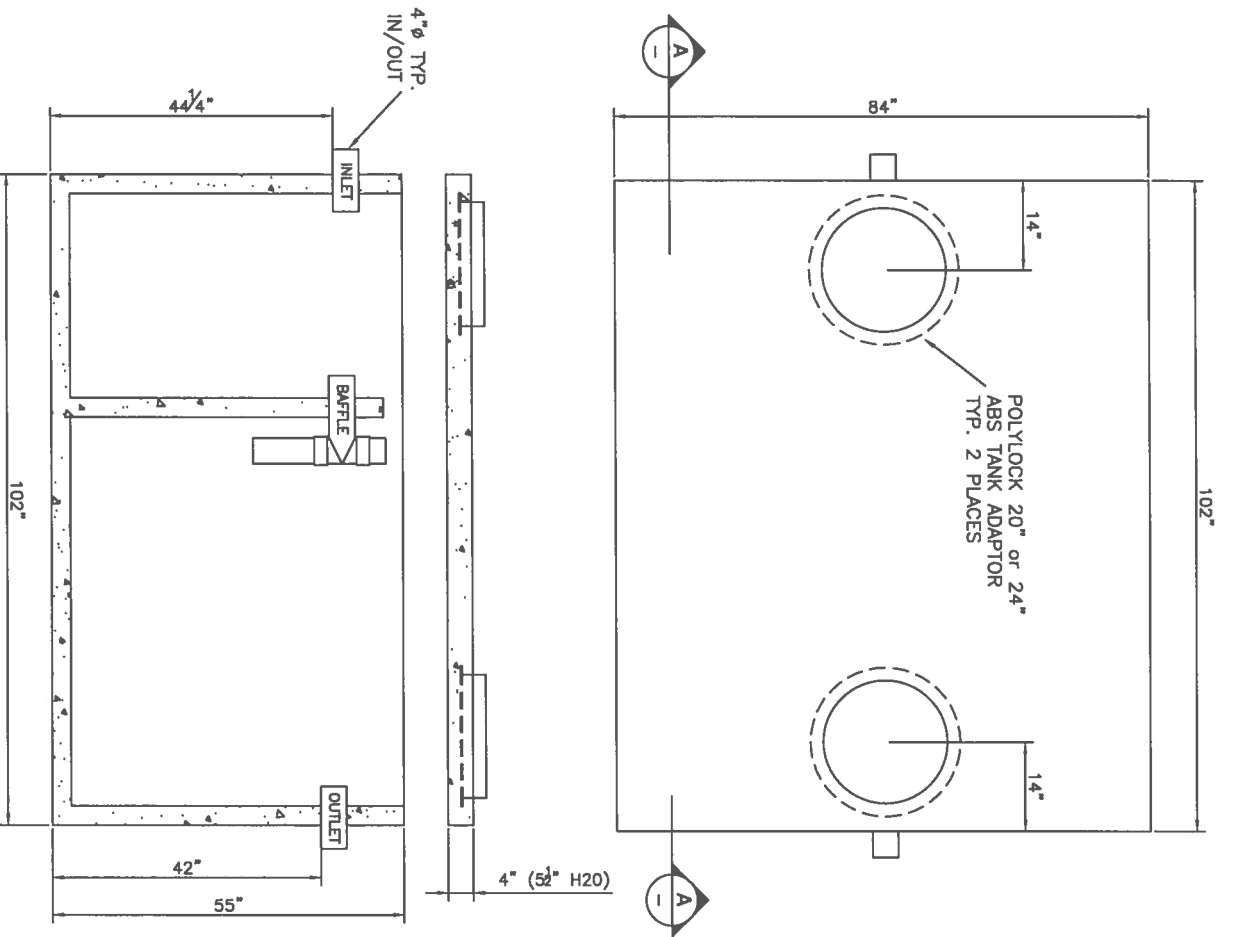


10000 IMP GAL SEPTIC TANK



- DETAILS:
1. CONCRETE 30MPa @ 28 DAYS
 2. 4 x 4 x 10/10 WELDED WIRE MESH IN BOTTOM & SIDES
 3. 10M REBAR MAT IN COVER
 4. CONCRETE CONTAINS PROPEX FIBERMESH 150 MULTIFILAMENT FIBRES
 5. MAXIMUM BURIAL DEPTH - 6 FEET
 6. 20" PLASTIC POLYLOK RISER IN SEPTIC TANKS/ 24" PLASTIC POLYLOK RISER IN PUMP CHAMBERS
 7. LID SEALED TO TANK WITH ¾" CONSEAL CS-101 GASKET
 8. H2O TRAFFIC RATED TANKS ARE AVAILABLE, CONTACT YOUR NANAIMO PRECAST LIMITED REP. FOR MORE DETAILS

TOTAL TANK VOLUME - 1 006 ImpGal
(CALCULATED TO OUTLET INVERT)
TANK WEIGHT - 9,886 lbs
LID WEIGHT - 3,145 lbs

SECTION A
NTS

TANK IS DESIGNED TO BE FULLY BACKFILLED PRIOR TO ANY FILLING OR USE
NANAIMO PRECAST ACCEPTS NO RESPONSIBILITY FOR SITE CONDITIONS
OR FOR OVERALL SYSTEM DESIGN, A R.O.W.P. SHOULD BE RETAINED



1941 TRANS CANADA HIGHWAY
NANAIMO B.C.
PH 250-591-6115 FAX 250-591-6114
www.naiprecast.ca

10000 IMPERIAL GALLON (4,546 LITER)
SEPTIC TANK

DATE: JANUARY 5, 2017

DRAWN BY: S. TAYLOR

TANK MODEL: 1000-1