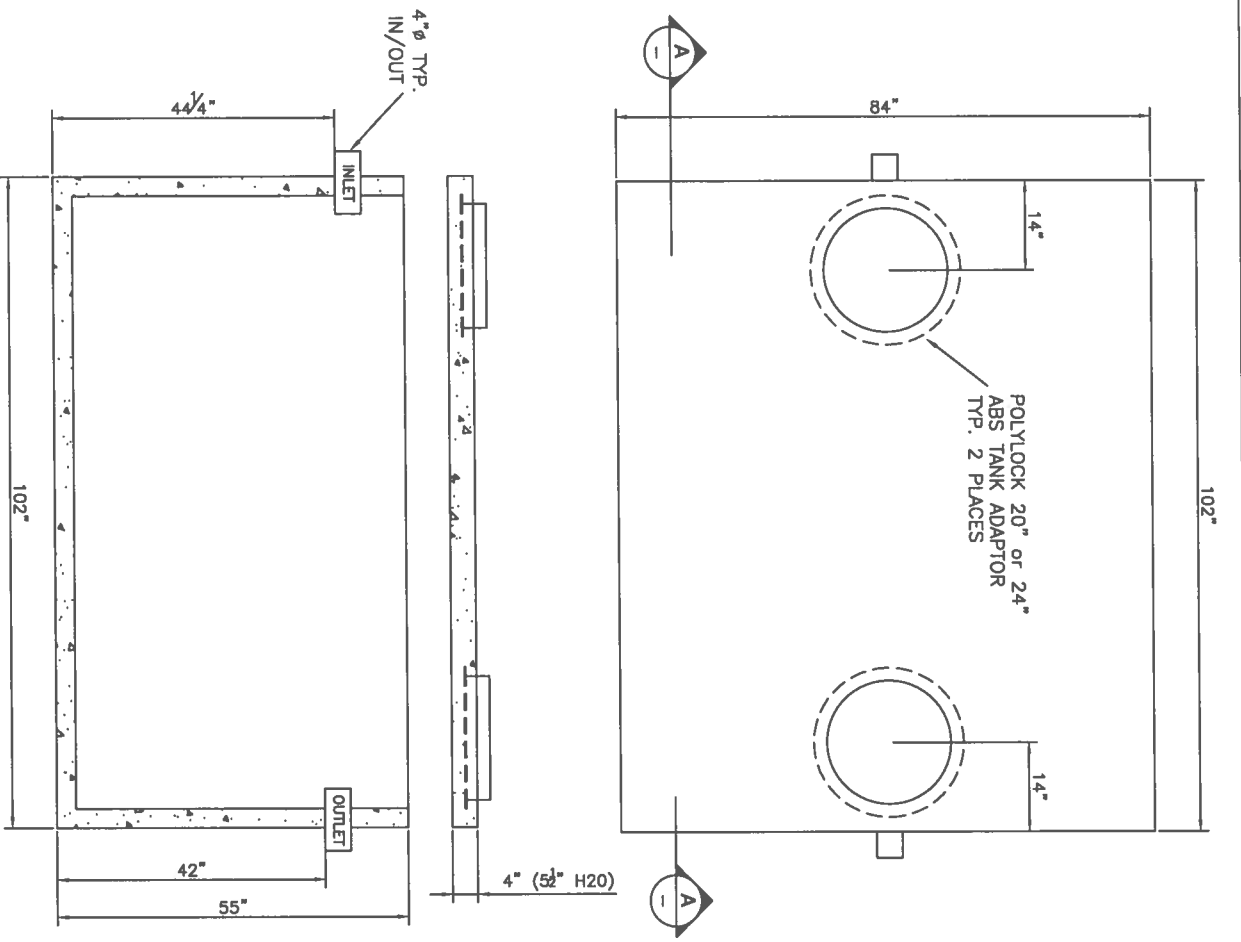


10000 IMP GAL HOLDING TANK CISTERN



TANK IS DESIGNED TO BE FULLY BACKFILLED PRIOR TO ANY FILLING OR USE
 NANAIMO PRECAST ACCEPTS NO RESPONSIBILITY FOR SITE CONDITIONS
 OR FOR OVERALL SYSTEM DESIGN, A R.O.W.P. SHOULD BE RETAINED

SECTION A
 NTS

- DETAILS:
1. CONCRETE 30MPa @ 28 DAYS
 2. 4 x 4 x 10/10 WELDED WIRE MESH IN BOTTOM & SIDES
 3. 10M REBAR MAT IN COVER
 4. CONCRETE CONTAINS PROPEX FIBERMESH 150 MULTIFILAMENT FIBRES
 5. MAXIMUM BURIAL DEPTH - 6 FEET
 6. 20" PLASTIC POLYLOK RISER IN SEPTIC TANKS/ 24" PLASTIC POLYLOK RISER IN PUMP CHAMBERS
 7. LID SEALED TO TANK WITH 3/4" CONSEAL CS-101 GASKET
 8. H2O TRAFFIC RATED TANKS ARE AVAILABLE, CONTACT YOUR NANAIMO PRECAST LIMITED REP. FOR MORE DETAILS

TOTAL TANK VOLUME - 1,053 ImpGal
 (CALCULATED TO OUTLET INVERT)
 TANK WEIGHT - 8,674 lbs
 LID WEIGHT - 3,145 lbs

NANAIMO PRECAST LTD
 1841 TRANS CANADA HIGHWAY
 NANAIMO BC
 PH 250-591-6115 FAX 250-591-6114
 www.nanaimoprecast.ca

1000 IMPERIAL GALLON (4,546 LITER)
 HOLDING TANK / CISTERN

DATE: JANUARY 5, 2017 DRAWN BY: S TAYLOR TANK MODEL: 1000-3