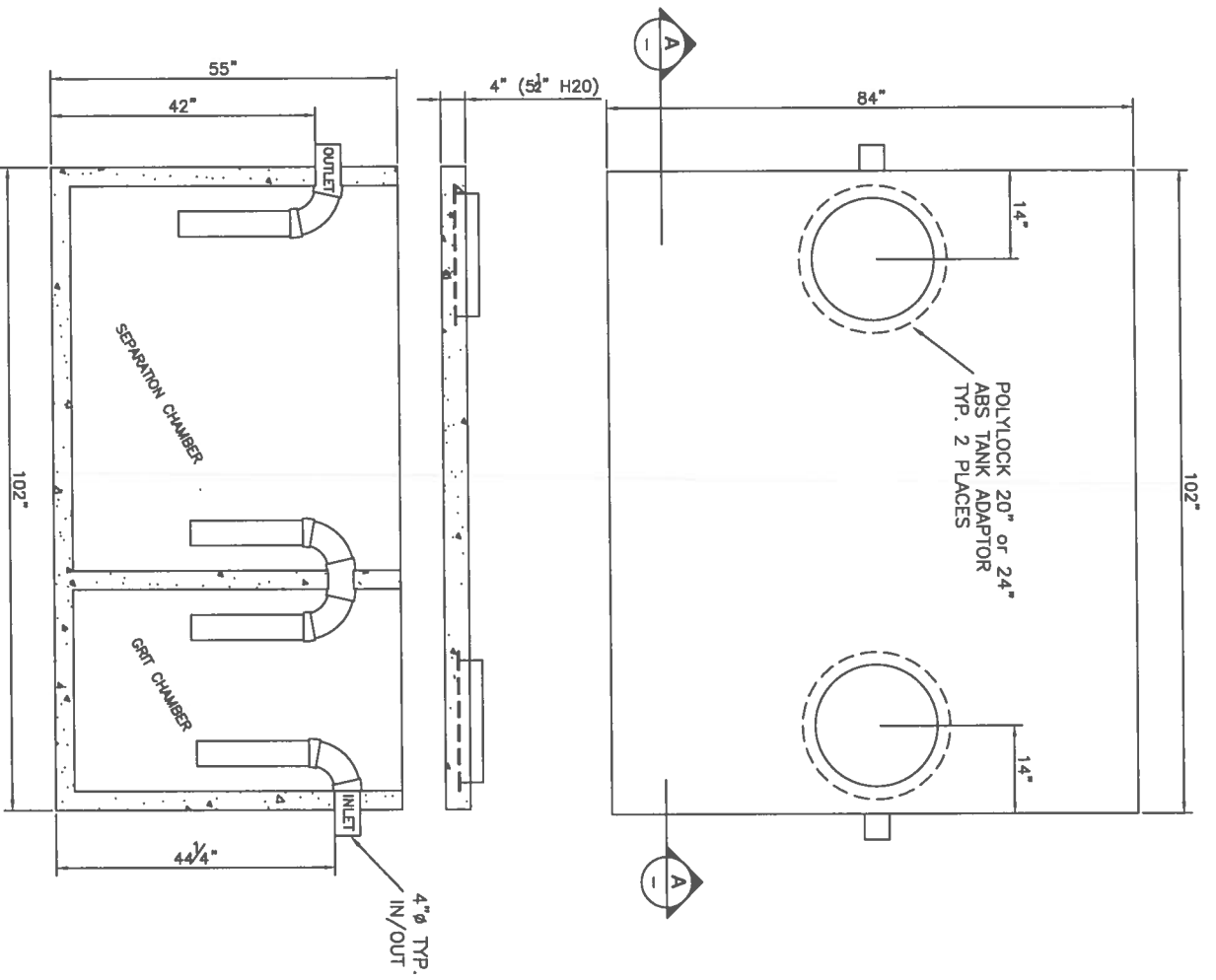


# 10000 IMP GAL

## A.P.I. STYLE OIL WATER SEPARATOR



**DETAILS:**

1. CONCRETE 30MPa @ 28 DAYS
2. 4 x 4 x 10/10 WELDED WIRE MESH IN BOTTOM & SIDES
3. 10M REBAR MAT IN COVER
4. CONCRETE CONTAINS PROPEX FIBERMESH 150 MULTIFILAMENT FIBRES
5. MAXIMUM BURIAL DEPTH - 6 FEET
6. 20" PLASTIC POLYLOK RISER IN SEPTIC TANKS/ 24" PLASTIC POLYLOK RISER IN PUMP CHAMBERS
7. LID SEALED TO TANK WITH  $\frac{3}{4}$ " CONSEAL CS-101 GASKET
8. H2O TRAFFIC RATED TANKS ARE AVAILABLE. CONTACT YOUR NANAIMO PRECAST LIMITED REP. FOR MORE DETAILS

TOTAL TANK VOLUME - 1,002 ImpGal  
 (CALCULATED TO OUTLET INVERT)  
 TANK WEIGHT - 9,912 lbs  
 LID WEIGHT - 3,145 lbs

TANK IS DESIGNED TO BE FULLY BACKFILLED PRIOR TO ANY FILLING OR USE  
 NANAIMO PRECAST ACCEPTS NO RESPONSIBILITY FOR SITE CONDITIONS  
 OR FOR OVERALL SYSTEM DESIGN, A R.O.W.P. SHOULD BE RETAINED

SECTION A  
 NTS



1941 TRANS CANADA HIGHWAY  
 NANAIMO BC  
 PH 250-591-6115 FAX 250-591-6114  
 www.nanaimoprecast.ca

1000 IMPERIAL GALLON (4,546 LITER)  
 A.P.I. STYLE OIL WATER SEPARATOR

DATE: JANUARY 5, 2017 DRAWN BY: S. TAYLOR TANK MODEL: 1000-OWS